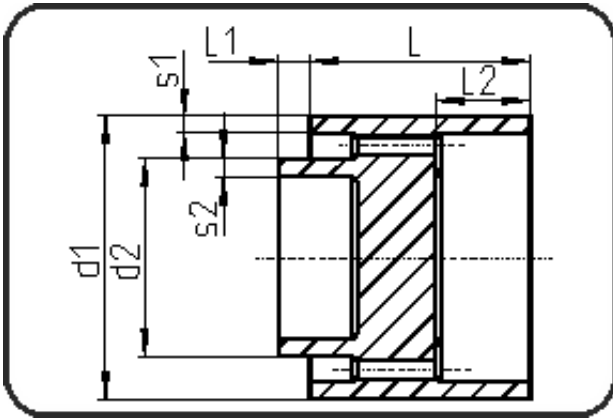


PE 100-RC Poly-Flo



Code: 197.1

- Poly-Flo Outer Wall Adaptor
- machined
- simultaneous + cascade welding
- PE 100-RC black

Dimension	Code	Detail	Weight
90/63	70.197.9064.71	90/63 SDR17/11	0.25

	Unit	Nominale	Tol+	Tol-
L	mm	70	3.00	3.00
L1	mm	10	1.50	1.50
L2	mm	30	1.50	1.50
d1	mm	90	1.35	0.00
s2	mm	5,8	0.70	0.00
d2	mm	63	0.90	0.00
s1	mm	5,4	0.70	0.00