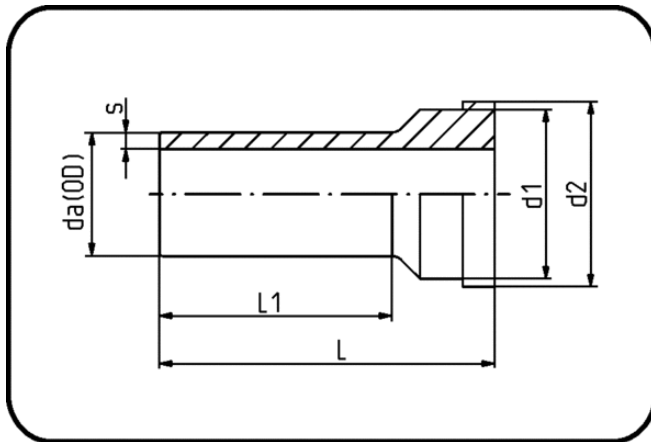


Fittings with short Spigot



Code: 024.2

- Union end
- spare part Union 024
- injection moulded
- **Butt-welding**
- **PPR grey**

| Dimension | Code | Detail | da(OD) mm | s mm | L mm | L1 mm | d1 mm | d2 mm | Weight |
|-----------|----------------|----------------------|--------------|---------|---------|----------|----------|----------|--------|
| 20 | 11.024.2020.11 | 20X1,9 SDR11 ISO S-5 | 20 | 1,9 | 54 | 38 | 27,3 | 29,9 | 0.01 |
| 25 | 11.024.2025.11 | 25X2,3 SDR11 ISO S-5 | 25 | 2,3 | 57 | 39 | 35,7 | 38,6 | 0.02 |
| 32 | 11.024.2032.11 | 32X2,9 SDR11 ISO S-5 | 32 | 2,9 | 61 | 40 | 41,3 | 44,7 | 0.03 |
| 40 | 11.024.2040.11 | 40X3,7 SDR11 ISO S-5 | 40 | 3,7 | 63 | 42 | 52,6 | 56,3 | 0.04 |
| 50 | 11.024.2050.11 | 50X4,6 SDR11 ISO S-5 | 50 | 4,6 | 67 | 44 | 58,6 | 62,4 | 0.06 |
| 63 | 11.024.2063.11 | 63X5,8 SDR11 ISO S-5 | 63 | 5,8 | 69 | 45 | 73,6 | 78 | 0.10 |
| 75 | 11.024.2075.11 | 75X6,8 SDR11 ISO S-5 | 75 | 6,8 | 66 | 37 | 90 | 101 | 0.10 |
| 90 | 11.024.2090.11 | 90X8,2 SDR11 ISO S-5 | 90 | 8,2 | 66,5 | 57 | 90 | 101 | 0.15 |