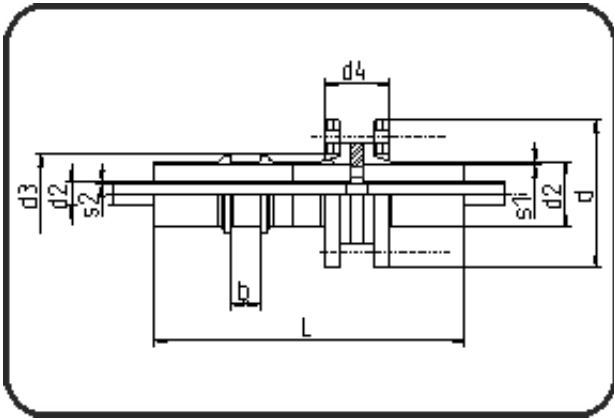


## PE/PVDF Staggered Welding



Code: 249

- Dog Bone Type III, Collar
- with cut out
- machined
- Staggered + E-socket-welding
- HDPE/PVDF

Dimension	Code	Detail	Weight
160/90	84.249.1690.73	160/90 SDR17/33	8.99

	Unit	Nominale	Tol+	Tol-
L	mm	560	3.00	3.00
SDR2		33	0.00	0.00
SDR1		17	0.00	0.00
s2	mm	2,8	0.50	0.00
s1	mm	9,5	1.20	0.00
b	mm	60	63.00	60.00
numb	pc	8	0.00	0.00
d	mm	287	1.50	1.50
d1	mm	160	2.25	0.00
d3	mm	178	1.50	0.00
d2	mm	90	1.35	0.00
K	mm	M20	0.00	0.00
d4	mm	104	0.00	0.00