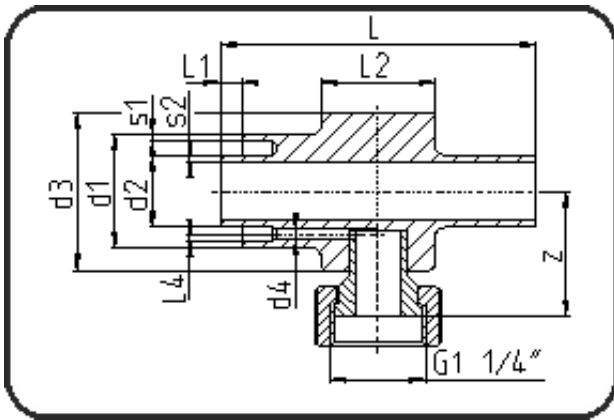


PE 100-RC Poly-Flo



Code: 196.1

- Poly-Flo Measuring Fitting
- with transition to single tube
- machined
- **simultaneous + cascade welding**
- PE 100-RC black

Dimension	Code	Detail	Weight
90/63	70.196.9064.71	90/63 SDR17/11	0.53

	Unit	Nominale	Tol+	Tol-
L	mm	140	4.50	4.50
L1	mm	10	1.50	1.50
L2	mm	50	3.00	3.00
d1	mm	90	1.35	0.00
d3	mm	102	1.50	0.00
s2	mm	5,8	0.70	0.00
d2	mm	63	0.90	0.00
s1	mm	5,4	0.70	0.00
z	mm	71	7.50	7.50