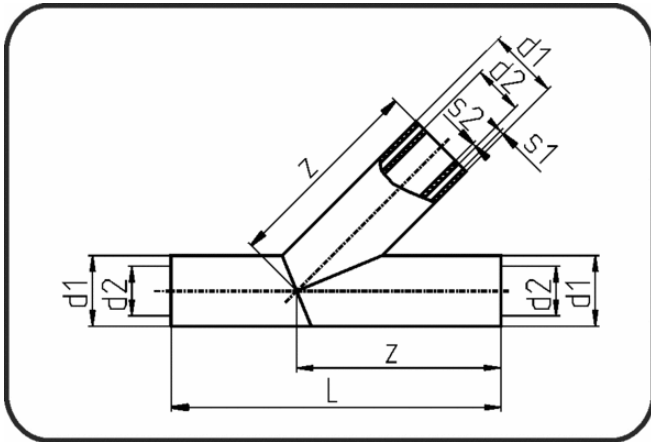


## PE 100-RC Poly-Flo



Code: 192.1

- Poly-Flo Lateral
- derating factor 0.5
- segmented
- **simultaneous + cascade welding**
- **PE 100-RC black**

Dimension	Code	Detail	s1 mm	s2 mm	d1 mm	d2 mm	L mm	Weight
50/32	70.192.5033.71	50/32 SDR17/11	3	3	50	32	300	0.37
90/63	70.192.9064.71	90/63 SDR17/11	5,4	5,8	90	63	400	1.49
160/110	70.192.1612.71	160/110 SDR17/11	9,5	10	160	110	550	6.60
160/110	70.192.1612.37	160/110 SDR33/17	4,9	6,6	160	110	550	3.73
225/160	70.192.2217.37	225/160 SDR33/17	6,9	9,5	225	160	674	10.98
225/160	70.192.2217.71	225/160 SDR17/11	13,4	14,6	225	160	674	16.86