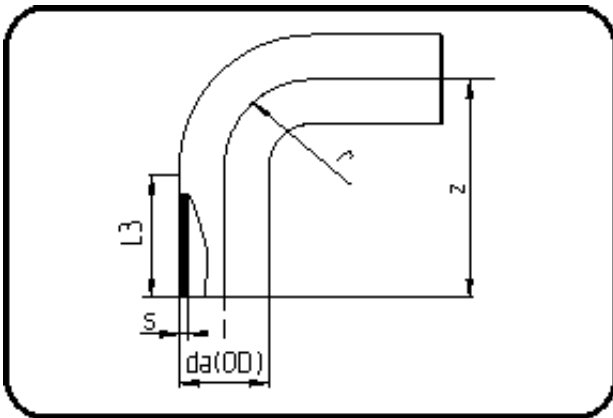


MULTI Fittings



Code: 068

- **MULTI-Bend 90°**
- long spigot
- electrically conductive
- injection moulded
- **Butt + E-socket-welding**
- **PE 100-el black**

Dimension	Code	Detail	Weight
40	28.068.0040.11	40X3,7 SDR11 ISO S-5	0.08

	Unit	Nominale	Tol+	Tol-
da(OD)	mm	40	0.40	0.00
L3	mm	52	3.00	3.00
r	mm	40	0.00	0.00
s	mm	3,7	0.50	0.00
z	mm	92,5	4.50	4.50