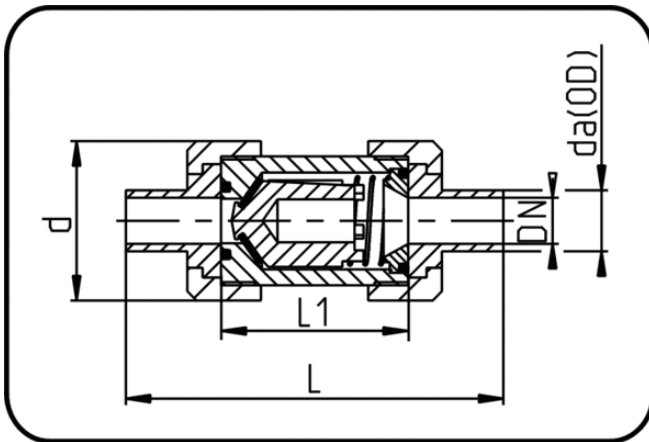


Valves



Code: 336.12

- Check Valve with Spring
- EPDM-sealing
- injection moulded
- Butt + IR-welding
- PP grey

Dimension	Code	Detail	da(OD) mm	L mm	L1 mm	d mm	p bar	DN mm	Weight
90	11.336.1290.17	90 - SDR17 ISO S-8	90	296	160	188	6	80	3.04
20	11.336.1220.11	20 - SDR11 ISO S-5	20	124	61	53	10	15	0.11
25	11.336.1225.11	25 - SDR11 ISO S-5	25	143	69	63	10	20	0.17
32	11.336.1232.11	32 - SDR11 ISO S-5	32	151	72	70,5	10	25	0.22
40	11.336.1240.11	40 - SDR11 ISO S-5	40	171	83	85,5	10	32	0.38
50	11.336.1250.11	50 - SDR11 ISO S-5	50	192	94	100,5	10	40	0.59
63	11.336.1263.11	63 - SDR11 ISO S-5	63	220	108	120	10	50	0.91
75	11.336.1275.11	75 - SDR11 - MOP 8 bar	75	280	135	151	10	65	1.81