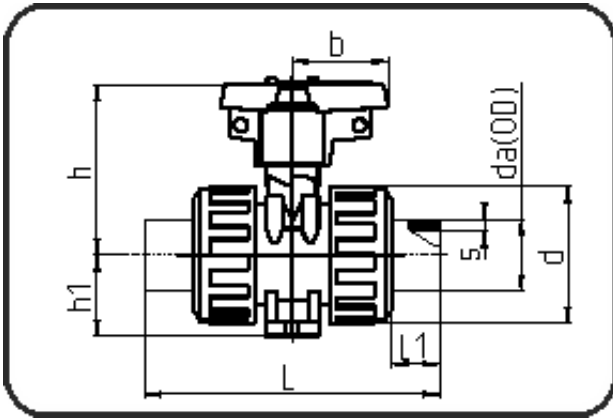


Valves



Code: 363.15

- Ball Valve M1
- FPM-sealing
- injection moulded
- **Butt + IR-welding**
- PP grey

Dimension	Code	Detail	Weight
63	11.363.1563.11	63 - SDR11 ISO S-5	1.26

	Unit	Nominale	Tol+	Tol-
da(OD)	mm	63	0.60	0.00
L	mm	223	1.50	1.50
L1	mm	27,5	0.75	0.75
h1	mm	64,5	0.75	0.75
b	mm	84	0.00	0.00
DN	mm	50	0.00	0.00
s	mm	5,8	0.70	0.00
d	mm	127,5	0.75	0.75
p	bar	10	0.00	0.00
h	mm	113,5	0.75	0.75