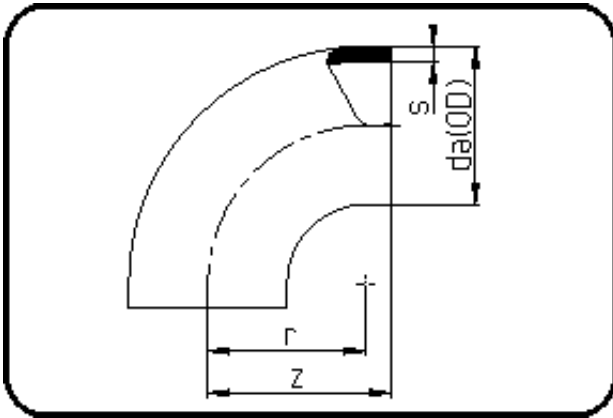


## Fittings with short Spigot



Code: 001

- Bend 90°
- short spigot
- injection moulded
- **Butt-welding**
- PPR grey

Dimension	Code	Detail	Weight
355	11.001.0355.17	355X21,1 SDR17 ISO S-8	11.60

	Unit	Nominale	Tol+	Tol-
da(OD)	mm	355	3.20	0.00
r	mm	300	0.00	0.00
s	mm	21,1	2.30	0.00
z	mm	340	6.00	6.00