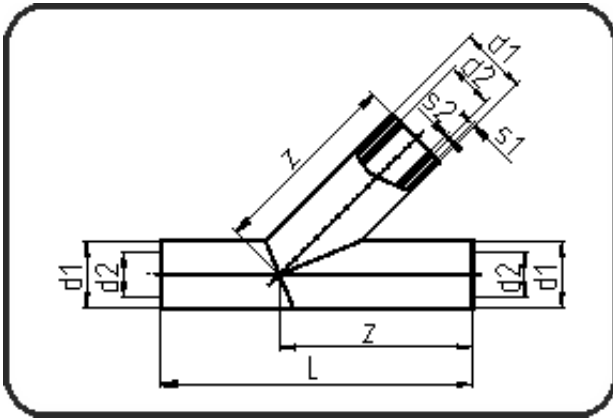


PE 100-RC Poly-Flo



Code: 192.1

- Poly-Flo Lateral
- derating factor 0.5
- segmented
- **simultaneous + cascade welding**
- PE 100-RC black

Dimension	Code	Detail	Weight
225/160	70.192.2217.71	225/160 SDR17/11	16.86

	Unit	Nominale	Tol+	Tol-
L	mm	674	15.00	15.00
d1	mm	225	1.50	0.00
s2	mm	14,6	1.10	0.00
d2	mm	160	1.50	0.00
s1	mm	13,4	1.10	0.00
z	mm	474	7.50	7.50