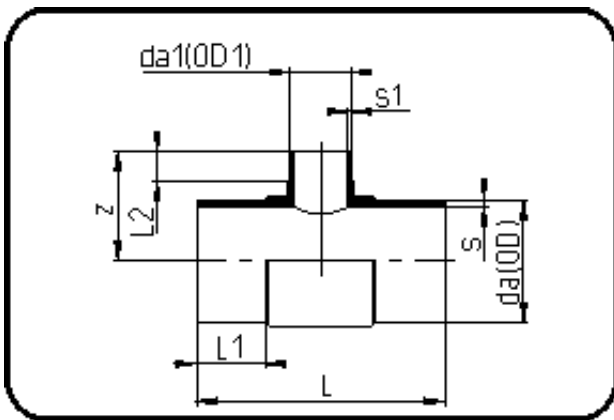


Fittings with short Spigot



Code: 016

- Tee reduced
- short spigot
- injection moulded
- **Butt-welding**
- PPR grey

Dimension	Code	Detail	Weight
160/125	11.016.1612.11	160/125 SDR11 ISO S-5	2.72

	Unit	Nominale	Tol+	Tol-
da(OD)	mm	160	1.50	0.00
L	mm	335	4.50	4.50
L1	mm	62	3.75	3.75
L2	mm	52	3.75	3.75
s	mm	14,6	1.60	0.00
s1	mm	11,4	1.30	0.00
da(OD1)	mm	125	1.20	0.00
z	mm	158	4.50	4.50