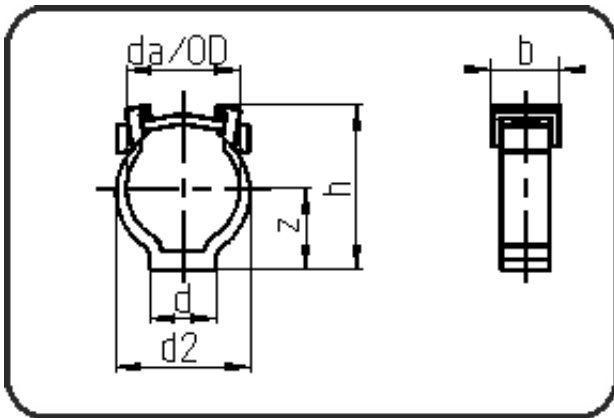


## Backing Rings, Accessories



Code: 049.03

- Pipe Clip with cramp
- w.o. steel bracket and screw
- injection moulded
- **Installation Accessory**
- **PP-FRP black**

Dimension	Code	Detail	Weight
200	14.049.0200.03	200	0.94

	Unit	Nominale	Tol+	Tol-
da(OD)	mm	200	0.00	0.00
b	mm	75	0.00	0.75
d	mm	145	0.75	0.75
d2	mm	238	0.75	0.75
h	mm	266,5	2.25	2.25
z	mm	148	0.75	0.75