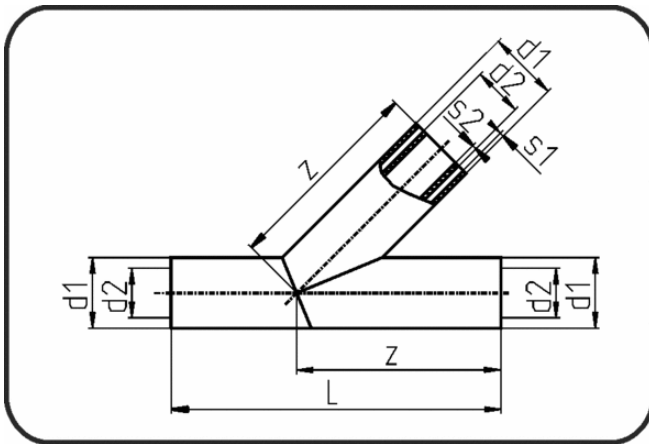


## PPR Poly-Flo



Code: 192.1

- Poly-Flo Lateral
- derating factor 0.5
- segmented
- **simultaneous + cascade welding**
- PPR grey

Dimension	Code	Detail	s1 mm	s2 mm	d1 mm	d2 mm	L mm	Weight
50/32	11.192.5033.71	50/32 SDR17/11	3	3	50	32	300	0.35
90/63	11.192.9064.71	90/63 SDR17/11	5,4	5,8	90	63	400	1.41
160/110	11.192.1612.71	160/110 SDR17/11	9,5	10	160	110	550	6.20