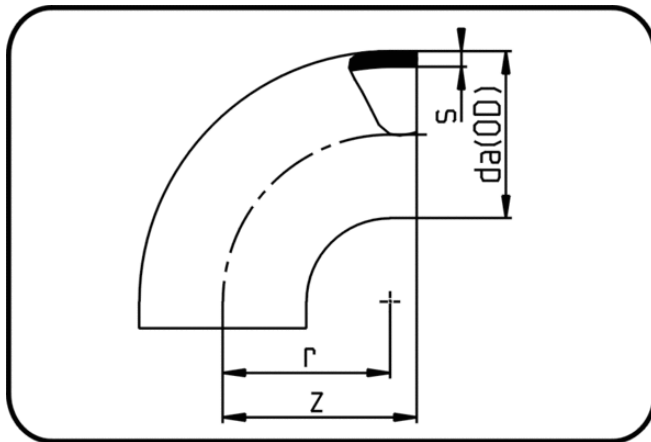


## Fittings with short Spigot



Code: 001

- **Bend 90°**
- short spigot
- flame retardant & el-conduct.
- injection moulded
- **Butt-welding**
- **PPs-el black**

Dimension	Code	Detail	da(OD) mm	s mm	z mm	r mm	Weight
110	19.001.0110.33	110X3,4 SDR33 MOP<1,5bar	110	3,4	120	110	0.32
160	19.001.0160.33	160X4,9 SDR33 MOP<1,5bar	160	4,9	180	155	0.97
200	19.001.0200.33	200X6,2 SDR33 MOP<1,5bar	200	6,2	220	200	1.76
225	19.001.0225.33	225X6,9 SDR33 MOP<1,5bar	225	6,9	245	225	2.44
250	19.001.0250.33	250X7,7 SDR33 MOP<1,5bar	250	7,7	290	265	3.68
315	19.001.0315.33	315X9,7 SDR33 MOP<1,5bar	315	9,7	340	300	6.42
110	19.001.0110.17	110X6,6 SDR17 MOP<3,5bar	110	6,6	123	110	0.54
160	19.001.0160.17	160X9,5 SDR17 MOP<3,5bar	160	9,5	180	155	1.66
200	19.001.0200.17	200X11,9 SDR17 MOP<3,5bar	200	11,9	220	200	3.09
32	19.001.0032.11	32X2,9 SDR11 MOP<6bar	32	2,9	43	32	0.03
50	19.001.0050.11	50X4,6 SDR11 MOP<6bar	50	4,6	58	50	0.09
63	19.001.0063.11	63X5,8 SDR11 MOP<6bar	63	5,8	70	63	0.15
75	19.001.0075.11	75X6,8 SDR11 MOP<6bar	75	6,8	85	75	0.26
90	19.001.0090.11	90X8,2 SDR11 MOP<6bar	90	8,2	100	90	0.44
110	19.001.0110.11	110X10,0 SDR11 MOP<6bar	110	10	124	110	0.74