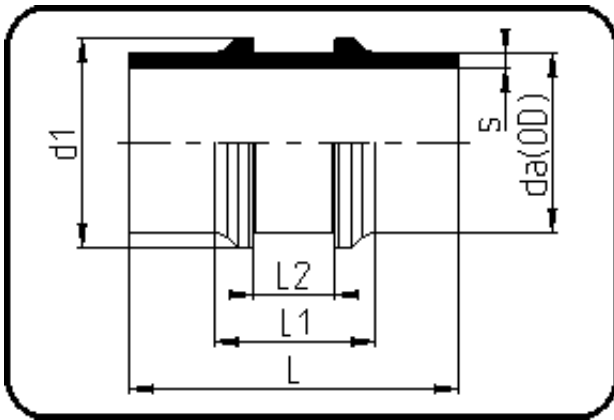


Fittings



Code: 028

- **Restrained Fitting**
- injection moulded
- **Butt + IR + HPF-welding**
- **PVDF natural**

Dimension	Code	Detail	Weight
63	30.028.0063.21	63X3,0 SDR21 ISO S-10	0.17

	Unit	Nominale	Tol+	Tol-
da(OD)	mm	63	0.40	0.00
L	mm	120	1.50	1.50
L1	mm	68	0.75	0.75
L2	mm	30,5	0.75	0.00
s	mm	3	0.60	0.00
d1	mm	71	0.00	0.75
da	inch	2	0.00	0.00