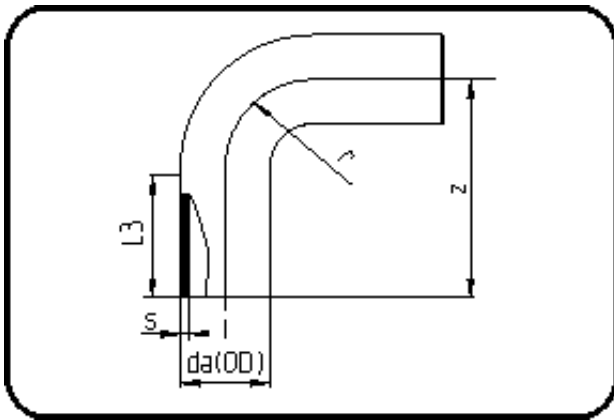


MULTI Fittings



Code: 068

- **MULTI-Bend 90°**
- long spigot
- injection moulded
- **Butt + IR-welding**
- **PVDF natural**

Dimension	Code	Detail	Weight
160	30.068.0160.21	160X7,7 SDR21 ISO S-10	2.86

	Unit	Nominale	Tol+	Tol-
da(OD)	mm	160	1.00	0.00
L3	mm	75	1.50	1.50
r	mm	160	0.00	0.00
s	mm	7,7	1.00	0.00
z	mm	236	1.00	1.00