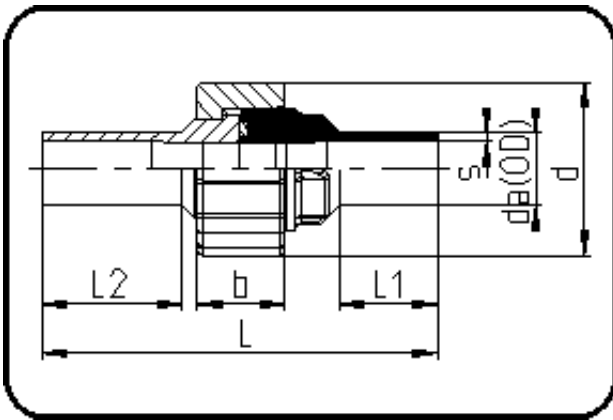


## Fittings with short Spigot



Code: 024

- Union Type 24
- FPM-sealing
- with PVDF nut
- injection moulded
- **Butt-welding**
- PPR grey

Dim. 75 and 90 with PVDF-Union nut.

| Dimension | Code           | Detail               | Weight |
|-----------|----------------|----------------------|--------|
| 90        | 11.024.0190.11 | 90X8,2 SDR11 ISO S-5 | 0.61   |

|        | Unit | Nominale | Tol+ | Tol- |
|--------|------|----------|------|------|
| da(OD) | mm   | 90       | 3.00 | 3.00 |
| L      | mm   | 133      | 3.00 | 3.00 |
| L1     | mm   | 35,5     | 1.50 | 1.50 |
| L2     | mm   | 57       | 1.50 | 1.50 |
| b      | mm   | 40       | 0.75 | 0.75 |
| s      | mm   | 8,2      | 3.00 | 3.00 |
| d      | mm   | 130      | 1.50 | 1.50 |