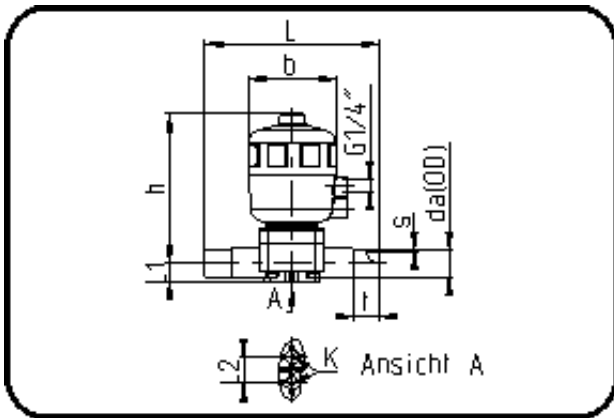


Valves



Code: 341.0

- Diaphragm Valve Pneumatic
- closed by resilience
- EPDM/PTFE diaphragm
- **Butt + IR-welding**
- **ECTFE natural**

Dimension	Code	Detail	Weight
50	40.341.0050.21	50 - SDR21 MOP 10 bar	6.35

	Unit	Nominale	Tol+	Tol-
da(OD)	mm	50	0.50	0.00
L	mm	194	3.00	3.00
L1	mm	32	0.75	0.75
L2	mm	44	0.75	0.75
b	mm	153	1.50	1.50
DN	mm	40	0.00	0.00
s	mm	3	0.60	0.00
t	mm	46	1.50	1.50
Kv-I	min	500	0.00	0.00
h	mm	273	4.50	4.50
K	mm	M8	0.00	0.00
da	inch	1,5	0.00	0.00