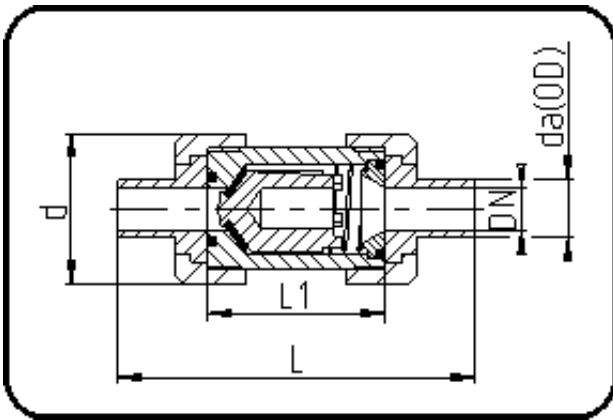


## Valves



Code: 336.15

- Check Valve with Spring
- FPM-sealing
- injection moulded
- **Butt + IR-welding**
- PVDF natural

Dimension	Code	Detail	Weight
63	30.336.1563.21	63 - SDR21 ISO S-10	1.56

	Unit	Nominale	Tol+	Tol-
da(OD)	mm	63	0.40	0.00
L	mm	219	7.50	7.50
L1	mm	108	0.50	0.50
DN	mm	50	0.00	0.00
s	mm	3	0.60	0.00
d	mm	115,5	0.75	0.75
da	inch	2	0.00	0.00