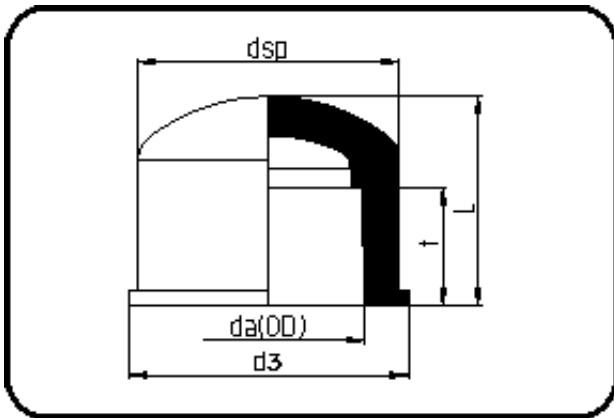


Fittings for Socket Welding



Code: 054

- End Cap
- injection moulded
- **Socket-welding**
- PVDF natural

Dimension	Code	Detail	Weight
40	30.054.0040.07	40 - MOP 20 bar	0.07

	Unit	Nominale	Tol+	Tol-
da(OD)	mm	40	0.00	0.00
L	mm	39	2.25	2.25
dsp	mm	52	1.50	1.50
t	mm	22,5	0.75	0.75
d3	mm	57	2.25	2.25
p	bar	20	0.00	0.00