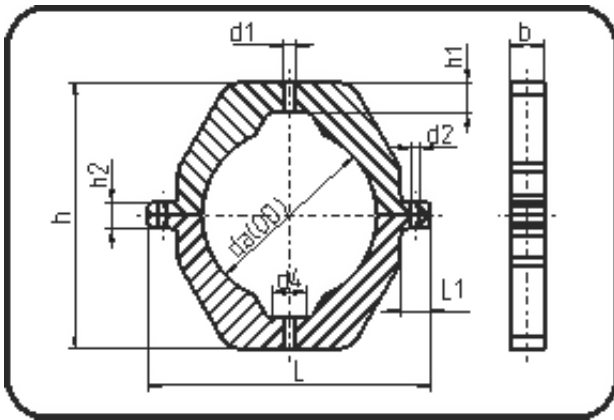


## Backing Rings, Accessories



Code: 348.8

- Pipe Clip
- 2 halves / without screws
- for restrained fitting
- machined
- **Installation Accessory**
- PPR grey

Dimension	Code	Detail	Weight
450	11.348.8450.00	450x80mm	6.40

	Unit	Nominale	Tol+	Tol-
da(OD)	mm	450	0.00	0.00
L	mm	584	1.50	1.50
L1	mm	37	2.25	0.00
h1	mm	39,5	0.75	0.75
b	mm	80	1.50	1.50
h2	mm	30	1.50	1.50
d1	mm	16	0.75	0.00
d2	mm	12	0.75	0.75
h	mm	578	1.50	1.50
d4	mm	40	0.00	2.25