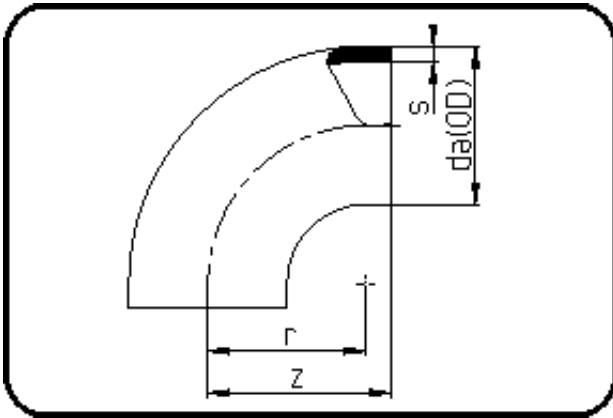


## Fittings



Code: 001

- Bend 90°
- short spigot
- injection moulded
- **Butt + IR-welding**
- PVDF natural

| Dimension | Code           | Detail                  | Weight |
|-----------|----------------|-------------------------|--------|
| 280       | 30.001.0280.21 | 280X13,4 SDR21 ISO S-10 | 10.29  |

|        | Unit | Nominale | Tol+ | Tol- |
|--------|------|----------|------|------|
| da(OD) | mm   | 280      | 1.80 | 0.00 |
| r      | mm   | 280      | 0.00 | 0.00 |
| s      | mm   | 13,4     | 1.50 | 0.00 |
| z      | mm   | 288      | 3.00 | 3.00 |