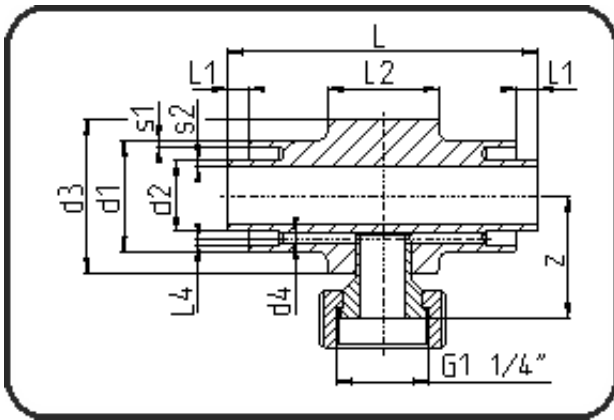


## PPR Poly-Flo



Code: 196.2

- Poly-Flo Measuring Fitting
- both side leakage control
- machined
- **simultaneous + cascade welding**
- PPR grey

Dimension	Code	Detail	Weight
50/32	11.196.5034.71	50/32 SDR17/11	0.27

	Unit	Nominale	Tol+	Tol-
L	mm	140	4.50	4.50
L1	mm	10	1.50	1.50
L2	mm	50	3.00	3.00
d1	mm	50	0.75	0.00
d3	mm	70	1.50	0.00
s2	mm	3	0.40	0.00
d2	mm	32	0.45	0.00
s1	mm	3	0.40	0.00
z	mm	55	7.50	7.50