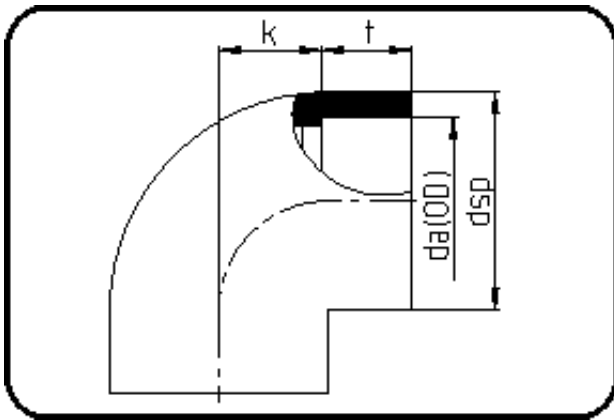


Fittings for Socket Welding



Code: 051

- Elbow 90°
- injection moulded
- **Socket-welding**
- PVDF natural

Dimension	Code	Detail	Weight
25	30.051.0025.07	25 - MOP 20 bar	0.04

	Unit	Nominale	Tol+	Tol-
da(OD)	mm	25	0.00	0.00
dsp	mm	32,5	1.50	1.50
t	mm	16,5	0.75	0.75
p	bar	20	0.00	0.00
k	mm	16	0.75	0.75