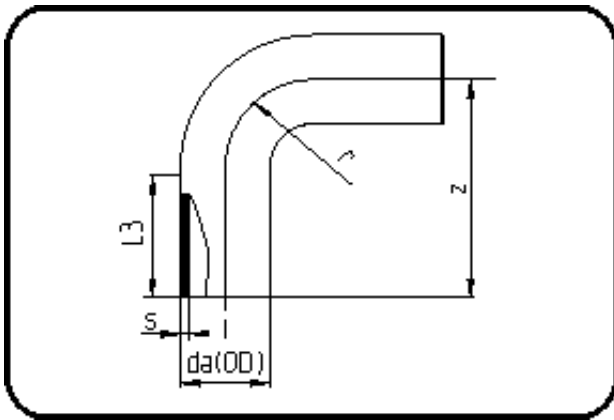


MULTI Fittings



Code: 068

- **MULTI-Bend 90°**
- long spigot
- injection moulded
- **Butt + E-socket-welding**
- **PPR grey**

Dimension	Code	Detail	Weight
110	11.068.0110.11	110X10,0 SDR11 ISO S-5	1.09

	Unit	Nominale	Tol+	Tol-
da(OD)	mm	110	1.00	0.00
L3	mm	82	4.50	4.50
r	mm	110	0.00	0.00
s	mm	10	1.10	0.00
z	mm	192	6.00	6.00