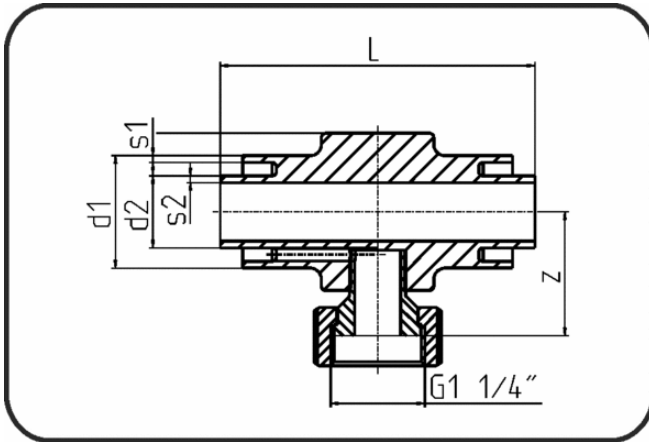


## PE 100-RC Poly-Flo



Code: 196

- Poly-Flo Measuring Fitting
- one side leakage control
- machined
- **simultaneous + cascade welding**
- **PE 100-RC black**

Dimension	Code	Detail	L mm	s1 mm	s2 mm	d1 mm	d2 mm	d3 mm	Weight
50/32	70.196.5032.71	50/32 SDR17/11	140	3	3	50	32	70	0.29
90/63	70.196.9063.71	90/63 SDR17/11	140	5,4	5,8	90	63	102	0.61
160/110	70.196.1611.71	160/110 SDR17/11	140	9,5	10	160	110	160	1.50
160/110	70.196.1611.37	160/110 SDR33/17	140	4,9	6,6	160	110	160	1.34
225/160	70.196.2216.37	225/160 SDR33/17	140	6,9	9,5	225	160	225	2.60
225/160	70.196.2216.71	225/160 SDR17/11	140	13,4	14,6	225	160	225	2.96