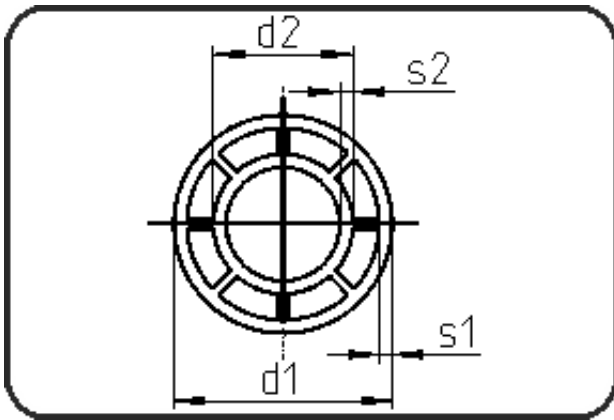


PE 100-RC Poly-Flo



Code: 785.1

- Poly-Flo Pipe 5m (16.4')
- extruded
- **simultaneous + cascade welding**
- PE 100-RC black

Dimension	Code	Detail	Weight
50/32	70.785.5032.71	50/32 SDR17/11	0.83

	Unit	Nominale	Tol+	Tol-
d1	mm	50	0.60	0.00
s2	mm	3	0.40	0.00
d2	mm	32	0.45	0.00
s1	mm	3	0.40	0.00