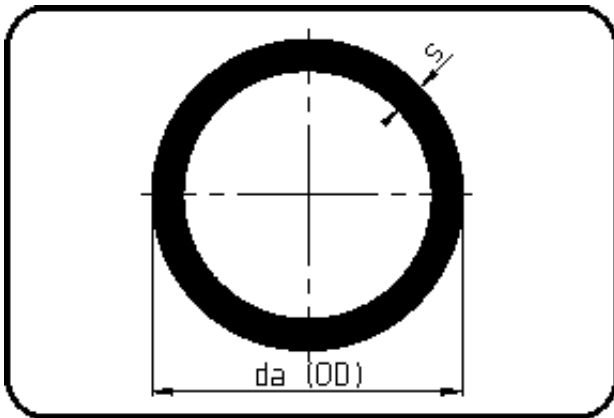


Pipes



Code: 11.705

- Pipe 5m
- extruded
- PPR grey

Dimension	Code	Detail	Weight
125	11.705.0125.11	125X11,4 SDR11 ISO S-5	3.91

	Unit	Nominale	Tol+	Tol-
da(OD)	mm	125	1.20	0.00
s	mm	11,4	1.30	0.00