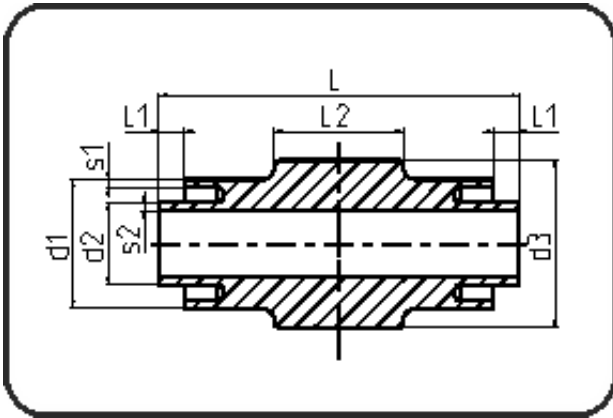


PPR Poly-Flo



Code: 196.3

- Poly-Flo
- Instrumentation Fitting
- machined
- **simultaneous + cascade welding**
- PPR grey

Dimension	Code	Detail	Weight
90/63	11.196.9066.71	90/63 SDR17/11	0.44

	Unit	Nominale	Tol+	Tol-
L	mm	140	4.50	4.50
L1	mm	10	1.50	1.50
L2	mm	0	0.00	0.00
d1	mm	90	1.35	0.00
d3	mm	90	1.50	0.00
s2	mm	5,8	0.70	0.00
d2	mm	63	0.90	0.00
s1	mm	5,4	0.70	0.00