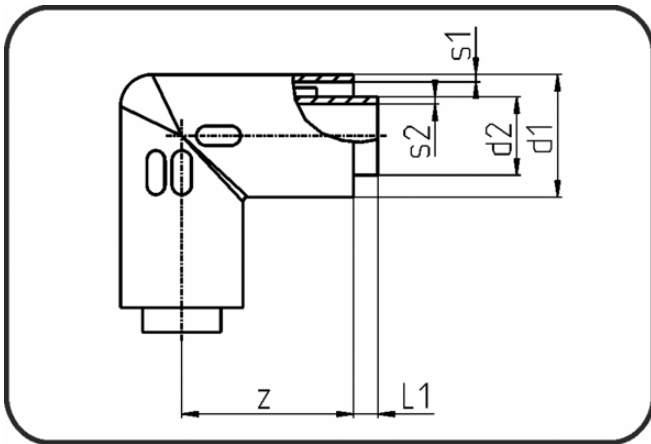


PE 100-RC Poly-Flo



Code: 190

- Poly-Flo Elbow 90°
- injection moulded
- **simultaneous + cascade welding**
- PE 100-RC black

Dimension	Code	Detail	s1 mm	s2 mm	d1 mm	d2 mm	z mm	L2 mm	Weight
50/32	70.190.5032.71	50/32 SDR17/11	3	3	50	32	88	61	0.15