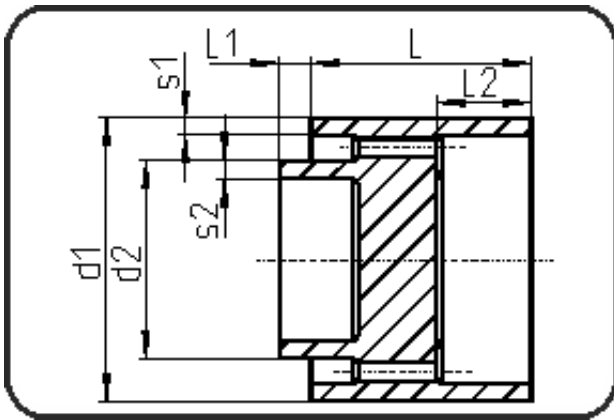


## PE 100-RC Poly-Flo



Code: 197.1

- Poly-Flo Outer Wall Adaptor
- machined
- simultaneous + cascade welding
- PE 100-RC black

| Dimension | Code           | Detail           | Weight |
|-----------|----------------|------------------|--------|
| 160/110   | 70.197.1612.71 | 160/110 SDR17/11 | 0.95   |

|    | Unit | Nominale | Tol+ | Tol- |
|----|------|----------|------|------|
| L  | mm   | 80       | 4.50 | 4.50 |
| L1 | mm   | 10       | 1.50 | 1.50 |
| L2 | mm   | 30       | 1.50 | 1.50 |
| d1 | mm   | 160      | 2.25 | 0.00 |
| s2 | mm   | 10       | 1.10 | 0.00 |
| d2 | mm   | 110      | 1.50 | 0.00 |
| s1 | mm   | 9,5      | 1.10 | 0.00 |