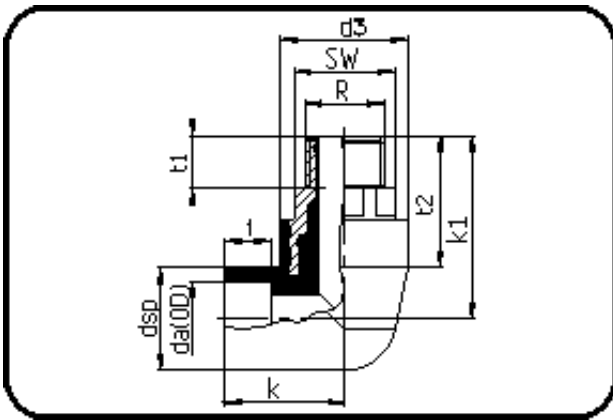


Fittings



Code: 22.086

- **Transition Elbow 90°**
- with R metal male thread
- injection moulded
- **Socket-welding**
- **PE 100 blue**

Dimension	Code	Detail	Weight
20	22.086.2020.07	20X1/2" - MOP 16 bar	0.13

	Unit	Nominale	Tol+	Tol-
R	inch	0,5	0.00	0.00
t	mm	16	0.75	0.75
t1	mm	16	0.75	0.75
t2	mm	40	0.75	0.75
da(OD)	mm	20	0.00	0.00
SW	mm	32	0.00	0.00
k1	mm	67	0.75	0.75
dsp	mm	30	0.75	0.75
d3	mm	38	0.75	0.75
E	mm	20,96	0.00	0.00
p	bar	16	0.00	0.00
K	mm	18,63	0.00	0.00
da	inch	0,5	0.00	0.00
k	mm	18,63	35.75	34.25