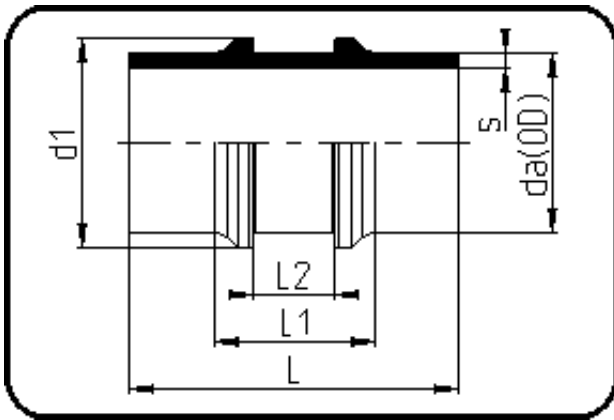


## Fittings



Code: 028

- **Restrained Fitting**
- injection moulded
- **Butt + IR + HPF-welding**
- **PVDF natural**

Dimension	Code	Detail	Weight
140	30.028.0140.21	140X6,7 SDR21 ISO S-10	1.05

	Unit	Nominale	Tol+	Tol-
da(OD)	mm	140	0.80	0.00
L	mm	159	1.50	1.50
L1	mm	100	0.75	0.75
L2	mm	60,5	0.75	0.00
s	mm	6,7	0.90	0.00
d1	mm	159	0.00	0.75
da	inch	5	0.00	0.00