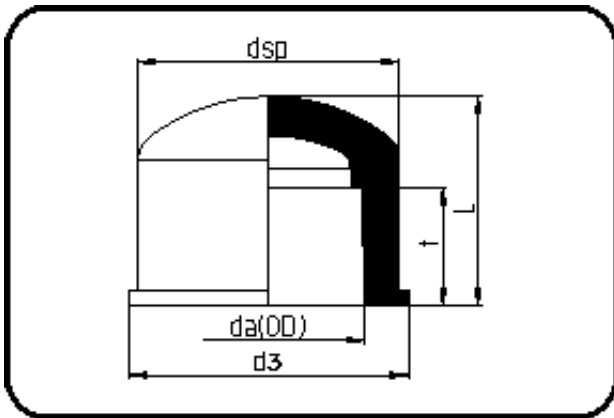


Fittings for Socket Welding



Code: 054

- End Cap
- injection moulded
- **Socket-welding**
- PVDF natural

| Dimension | Code | Detail | Weight |
|-----------|----------------|-----------------|--------|
| 50 | 30.054.0050.07 | 50 - MOP 20 bar | 0.13 |

| | Unit | Nominale | Tol+ | Tol- |
|--------|------|----------|------|------|
| da(OD) | mm | 50 | 0.00 | 0.00 |
| L | mm | 49 | 2.25 | 2.25 |
| dsp | mm | 64 | 1.50 | 1.50 |
| t | mm | 24 | 0.75 | 0.75 |
| d3 | mm | 69 | 2.25 | 2.25 |
| p | bar | 20 | 0.00 | 0.00 |