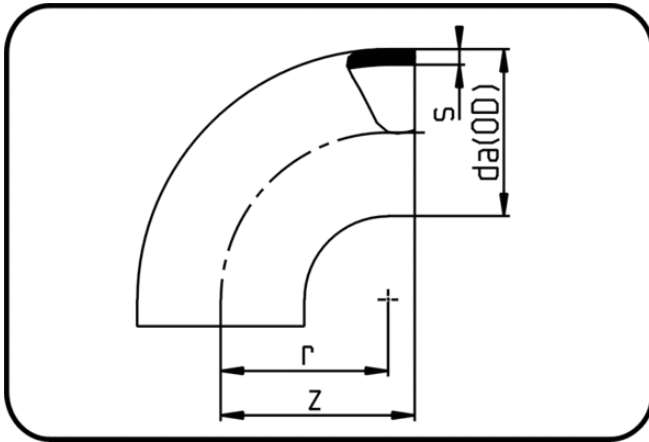


Fittings with short Spigot



Code: 001

- **Bend 90°**
- short spigot
- electrically conductive
- injection moulded
- **Butt-welding**
- **PE 100-el black**

Dimension	Code	Detail	da(OD) mm	s mm	z mm	r mm	Weight
180	28.001.0180.17	180X10,7 SDR17 ISO S-8	180	10,7	200	180	2.02
200	28.001.0200.17	200X11,9 SDR17 ISO S-8	200	11,9	220	200	2.70
225	28.001.0225.17	225X13,4 SDR17 ISO S-8	225	13,4	245	225	3.68
250	28.001.0250.17	250X14,8 SDR17 ISO S-8	250	14,8	285	265	6.38
315	28.001.0315.17	315X18,7 SDR17 ISO S-8	315	18,7	340	300	12.04
180	28.001.0180.11	180X16,4 SDR11 ISO S-5	180	16,4	200	180	3.18
200	28.001.0200.11	200X18,2 SDR11 ISO S-5	200	18,2	220	200	4.14
225	28.001.0225.11	225X20,5 SDR11 ISO S-5	225	20,5	243	225	5.84
250	28.001.0250.11	250X22,7 SDR11 ISO S-5	250	22,7	290	265	8.78
315	28.001.0315.11	315X28,6 SDR11 ISO S-5	315	28,6	340	300	15.50