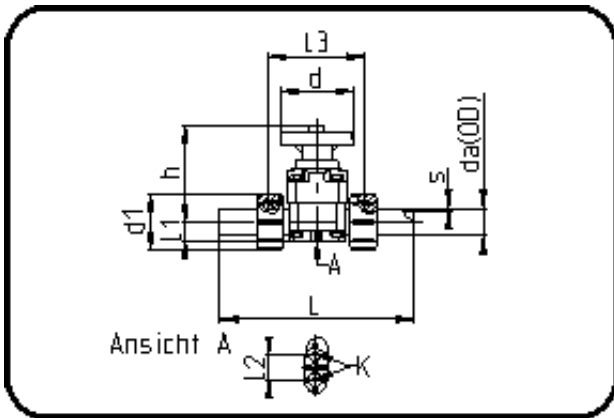


Valves



Code: 340

- Diaphragm Valve
- manually controlled
- EPDM/PTFE diaphragm
- Union Connection
- PP Pure grey

Dimension	Code	Detail	Weight
32	72.340.0032.11	32 - SDR11 - MOP 10 bar	0.80

	Unit	Nominale	Tol+	Tol-
da(OD)	mm	32	0.00	0.00
L	mm	236	0.00	0.00
L1	mm	20,5	0.75	0.75
L3	mm	116	3.00	3.00
L2	mm	24,5	0.75	0.75
DN	mm	25	0.00	0.00
s	mm	2,9	0.00	0.00
d	mm	86	1.50	1.50
d1	mm	65	0.00	0.00
Kv-I	min	221	0.00	0.00
h	mm	107	3.00	3.00
K	mm	M6	0.00	0.00