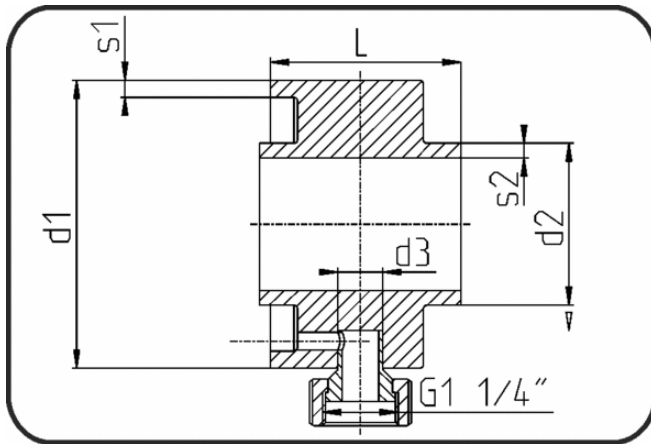


PE/PE Simultaneous Welding



Code: 141

- Dog Bone for leakage control
- with connection to single-pipe
- machined
- **Simultaneous-welding**
- **PE 100-RC/PE 100-RC**

| Dimension | Code | Detail | L mm | s1 mm | s2 mm | d1 mm | d2 mm | d3 mm | Weight |
|-----------|----------------|------------------|---------|----------|----------|----------|----------|----------|--------|
| 160/90 | 82.141.1690.37 | 160/90 SDR33/17 | 100 | 4,9 | 5,4 | 160 | 90 | 24 | 0.91 |
| 160/90 | 82.141.1690.31 | 160/90 SDR33/11 | 100 | 4,9 | 8,2 | 160 | 90 | 24 | 1.19 |
| 315/200 | 82.141.3120.31 | 315/200 SDR33/11 | 100 | 9,7 | 18,2 | 315 | 200 | 24 | 2.51 |
| 355/250 | 82.141.3525.31 | 355/250 SDR33/11 | 100 | 10,9 | 22,8 | 355 | 250 | 24 | 3.60 |