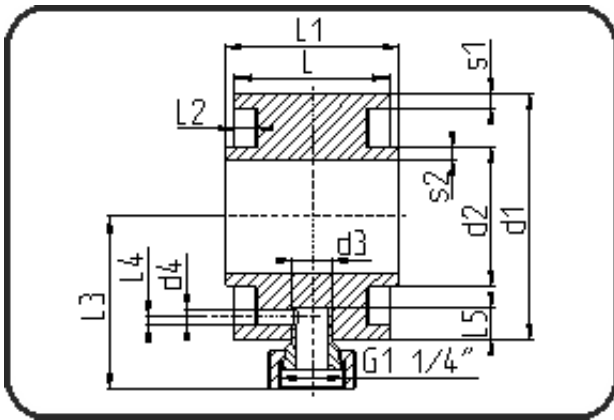


PE/PE Simultaneous Welding



Code: 140

- Dog Bone with Connection
- for leakage control
- machined
- **Simultaneous-welding**
- **PE 100-RC/PE 100-RC**

Dimension	Code	Detail	Weight
355/250	82.140.3525.31	355/250 SDR33/11	6.00

	Unit	Nominale	Tol+	Tol-
L	mm	100	2.25	2.25
SDR2		11	0.00	0.00
SDR1		33	0.00	0.00
s2	mm	22,8	2.50	0.00
s1	mm	10,9	1.30	0.00
L1	mm	112	2.25	2.25
L3	mm	210	0.00	0.00
L2	mm	15	0.50	0.50
L5	mm	22	1.00	0.00
L4	mm	5,5	0.50	0.00
d1	mm	355	4.80	0.00
d3	mm	24	0.00	0.50
d2	mm	250	3.45	0.00
d4	mm	10	1.00	1.00