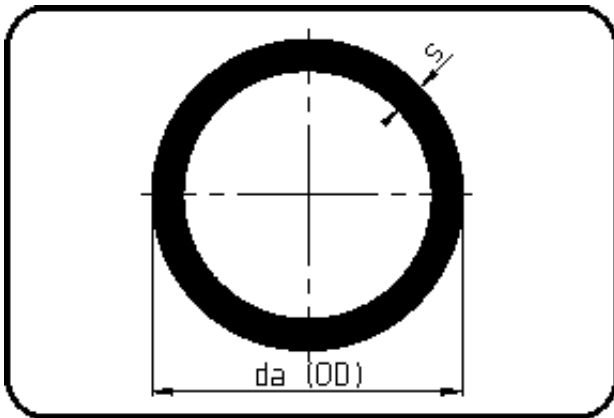


Pipes



Code: 705

- Pipe 5m
- flame retardant & el-conduct.
- extruded
- **PPs-el black**

Dimension	Code	Detail	Weight
63	19.705.0063.11	63X5,8 SDR11 MOP<6bar	1.29

	Unit	Nominale	Tol+	Tol-
da(OD)	mm	63	0.60	0.00
s	mm	5,8	0.70	0.00