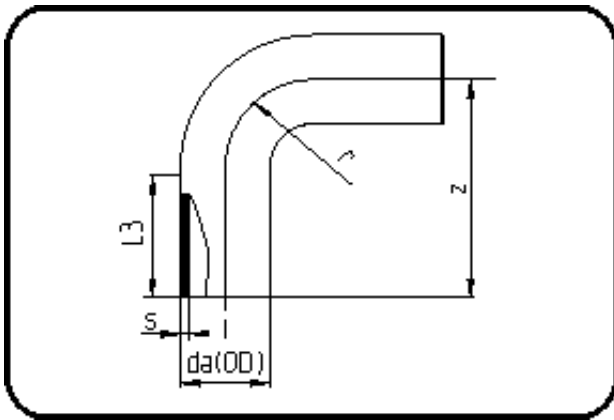


MULTI Fittings



Code: 068

- **MULTI-Bend 90°**
- long spigot
- electrically conductive
- injection moulded
- **Butt + E-socket-welding**
- **PE 100-el black**

Dimension	Code	Detail	Weight
125	28.068.0125.11	125X11,4 SDR11 ISO S-5	1.85

	Unit	Nominale	Tol+	Tol-
da(OD)	mm	125	1.20	0.00
L3	mm	92	3.00	3.00
r	mm	125	0.00	0.00
s	mm	11,4	1.30	0.00
z	mm	218	4.00	4.00