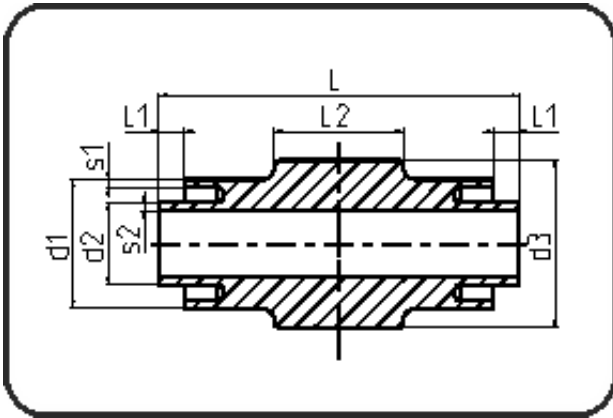


PE 100-RC Poly-Flo



Code: 196.3

- Poly-Flo
- Instrumentation Fitting
- machined
- **simultaneous + cascade welding**
- PE 100-RC black

| Dimension | Code | Detail | Weight |
|-----------|----------------|----------------|--------|
| 90/63 | 70.196.9066.71 | 90/63 SDR17/11 | 0.49 |

| | Unit | Nominale | Tol+ | Tol- |
|----|------|----------|------|------|
| L | mm | 140 | 4.50 | 4.50 |
| L1 | mm | 10 | 1.50 | 1.50 |
| L2 | mm | 0 | 0.00 | 0.00 |
| d1 | mm | 90 | 1.35 | 0.00 |
| d3 | mm | 90 | 1.50 | 0.00 |
| s2 | mm | 5,8 | 0.70 | 0.00 |
| d2 | mm | 63 | 0.90 | 0.00 |
| s1 | mm | 5,4 | 0.70 | 0.00 |