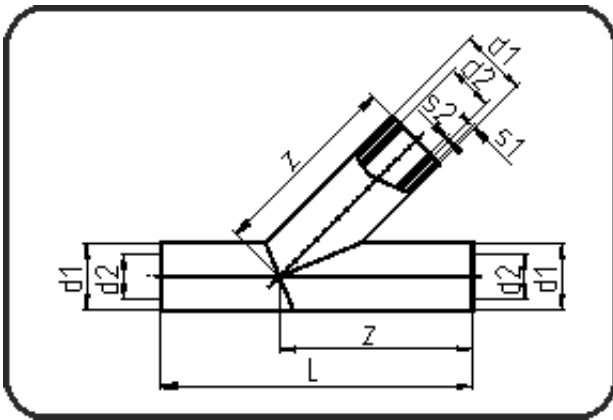


PE 100-RC Poly-Flo



Code: 192.1

- Poly-Flo Lateral
- derating factor 0.5
- segmented
- **simultaneous + cascade welding**
- PE 100-RC black

Dimension	Code	Detail	Weight
50/32	70.192.5033.71	50/32 SDR17/11	0.37

	Unit	Nominale	Tol+	Tol-
L	mm	300	10.00	10.00
d1	mm	50	0.00	0.00
s2	mm	3	0.00	0.00
d2	mm	32	0.00	0.00
s1	mm	3	0.00	0.00
z	mm	200	5.00	5.00