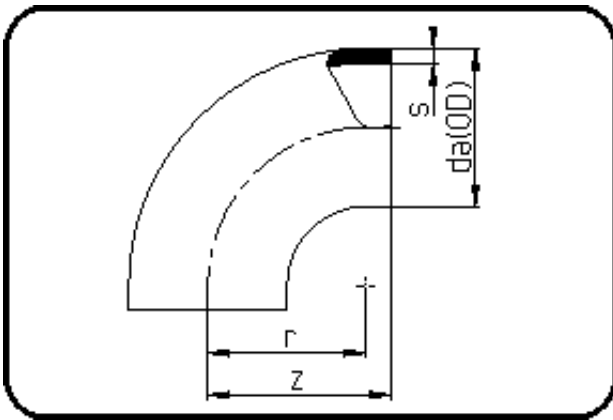


## Fittings with short Spigot



Code: 001

- Bend 90°
- short spigot
- electrically conductive
- injection moulded
- **Butt-welding**
- **PE 100-el black**

Dimension	Code	Detail	Weight
180	28.001.0180.11	180X16,4 SDR11 ISO S-5	3.18

	Unit	Nominale	Tol+	Tol-
da(OD)	mm	180	1.70	0.00
r	mm	180	0.00	0.00
s	mm	16,4	1.80	0.00
z	mm	200	4.50	4.50