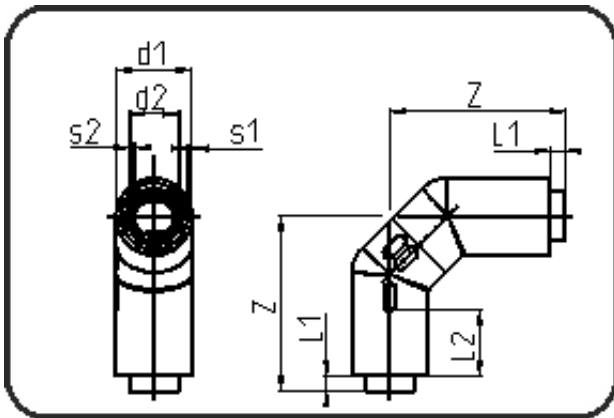


PPR Poly-Flo



Code: 212

- Poly-Flo Elbow 90°
- from 2 Elbows 45°
- injection moulded+welded
- **simultaneous + cascade welding**
- PPR grey

| Dimension | Code | Detail | Weight |
|-----------|----------------|----------------|--------|
| 50/32 | 11.212.5032.71 | 50/32 SDR17/11 | 0.17 |

| | Unit | Nominale | Tol+ | Tol- |
|----|------|----------|------|------|
| L1 | mm | 7 | 1.50 | 1.50 |
| L2 | mm | 43 | 3.00 | 3.00 |
| d1 | mm | 50 | 0.75 | 0.00 |
| s2 | mm | 3 | 0.40 | 0.00 |
| d2 | mm | 32 | 0.45 | 0.00 |
| s1 | mm | 3 | 0.40 | 0.00 |
| z | mm | 121 | 4.50 | 4.50 |