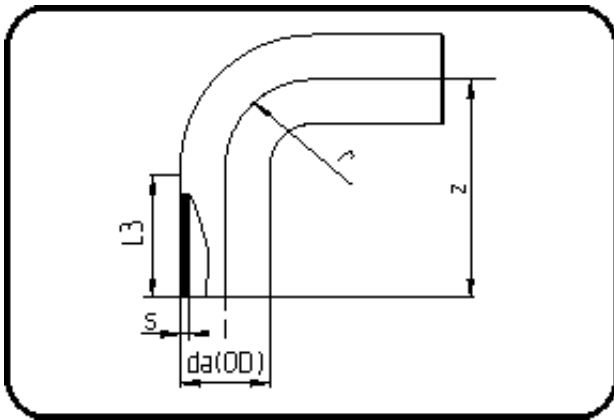


## MULTI Fittings



Code: 068

- **MULTI-Bend 90°**
- long spigot
- injection moulded
- **Butt + IR-welding**
- **PVDF natural**

Dimension	Code	Detail	Weight
110	30.068.0110.33	110X3,4 SDR33 ISO S-16	0.66

	Unit	Nominale	Tol+	Tol-
da(OD)	mm	110	0.50	0.00
L3	mm	34	1.50	1.50
r	mm	110	0.00	0.00
s	mm	3,4	0.60	0.00
z	mm	142	1.50	1.50