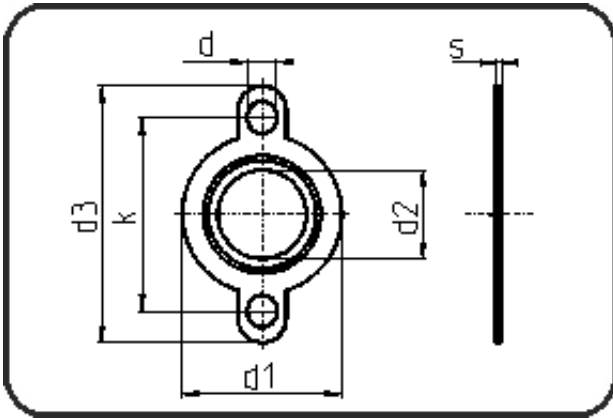


Seal Clean Gaskets



Code: 372.3

- Seal Clean Gasket
- DIN
- for AGRU PE/PP flanges
- Flange connection
- ePTFE white

Dimension	Code	Detail	Weight
63	88.372.3063.11	63 - SDR11 DIN	0.02

	Unit	Nominale	Tol+	Tol-
s	mm	3	0.50	0.50
d	mm	18	1.00	0.00
d1	mm	102	1.50	1.50
d3	mm	157	1.50	1.50
d2	mm	50,2	1.00	1.00
k	mm	125	1.00	1.00