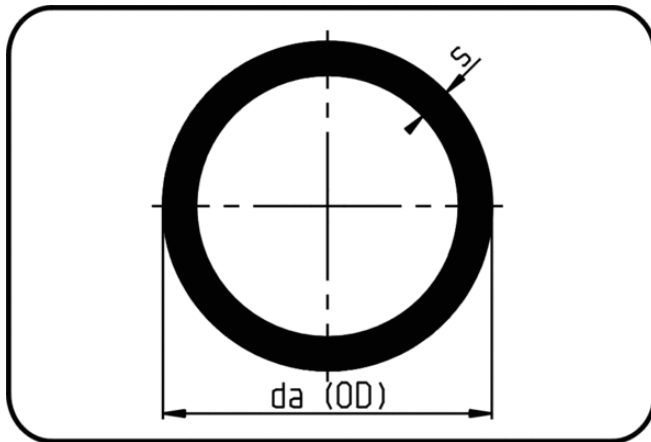


PPR-Liner without Pre-Treatment



Code: 762

- Pipe 6.2m
- extruded
- PPR grey

Dimension	Code	Detail	da(OD) mm	s mm	Weight
40	11.762.0040.11	40X3,7 SDR11 ISO S-5	40	3,7	0.41
50	11.762.0050.11	50X4,6 SDR11 ISO S-5	50	4,6	0.64
63	11.762.0063.11	63X5,8 SDR11 ISO S-5	63	5,8	1.01
75	11.762.0075.17	75X4,5 SDR17 ISO S-8	75	4,5	0.97
90	11.762.0090.17	90X5,1 SDR17,6 ISO S-8,3	90	5,1	1.33
110	11.762.0110.17	110X6,3 SDR17,6 ISO S-8,3	110	6,3	1.99
125	11.762.0125.26	125X4,8 SDR26 ISO S-12,5	125	4,8	1.77
160	11.762.0160.33	160X4,9 SDR33 ISO S-16	160	4,9	2.32
200	11.762.0200.41	200X4,9 SDR41 ISO S-20	200	4,9	2.92
250	11.762.0250.41	250X6,2 SDR41 ISO S-20	250	6,2	4.63
315	11.762.0315.00	315X5,0 Ventilation	315	5	4.74
355	11.762.0355.00	355X6,0 Ventilation	355	6	6.38
400	11.762.0400.00	400X6,0 Ventilation	400	6	7.20
500	11.762.0500.00	500X8,0 Ventilation	500	8	11.90