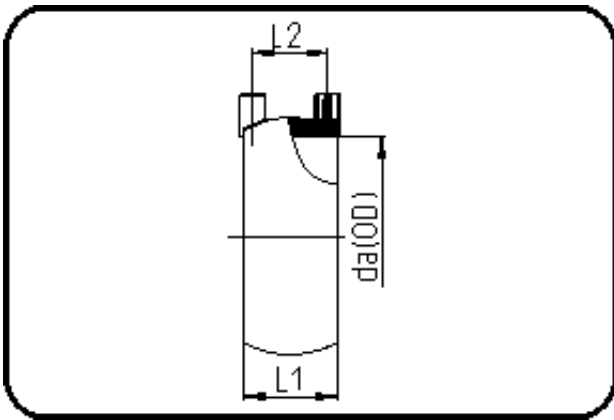


Electro Fusion Fittings



Code: 073

- HPF-E-Socket
- injection moulded
- HPF-welding
- PVDF UHP natural

Dimension	Code	Detail	Weight
63	35.073.0063.21	63X3,0 MOP 16 bar	0.06

	Unit	Nominale	Tol+	Tol-
da(OD)	mm	63,45	0.00	0.00
L1	mm	30	0.75	0.75
L2	mm	24	0.00	0.00