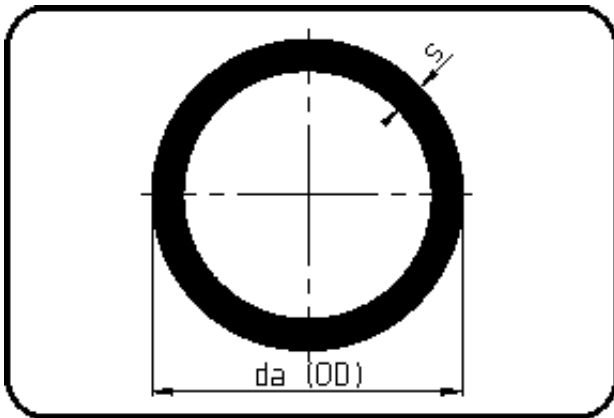


## Pipes



Code: 705

- Pipe 5m
- flame retardant & el-conduct.
- extruded
- **PPs-el black**

| Dimension | Code           | Detail                   | Weight |
|-----------|----------------|--------------------------|--------|
| 200       | 19.705.0200.33 | 200X6,2 SDR33 MOP<1,5bar | 4.73   |

|        | Unit | Nominale | Tol+ | Tol- |
|--------|------|----------|------|------|
| da(OD) | mm   | 200      | 1.80 | 0.00 |
| s      | mm   | 6,2      | 0.80 | 0.00 |