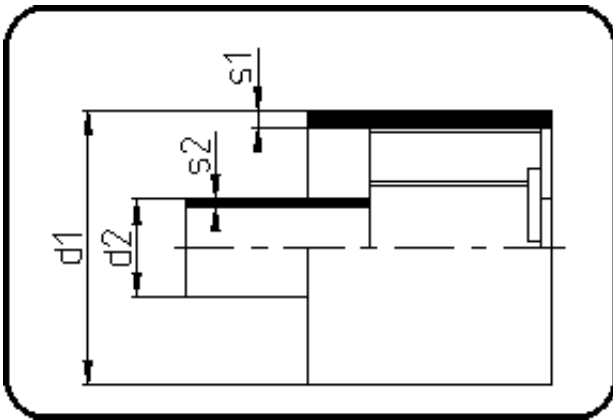


## PE/PVDF Staggered Welding



Code: 795

- Double Containment Pipe 5m
- extruded+assembled
- Staggered + E-socket-welding
- HDPE/PVDF

Dimension	Code	Detail	Weight
125/63	84.795.1263.72	125/63 SDR17/21	3.79

	Unit	Nominale	Tol+	Tol-
d1	mm	125	0.00	0.00
SDR2		21	0.00	0.00
SDR1		17,6	0.00	0.00
s2	mm	3	0.00	0.00
d2	mm	63	0.00	0.00
s1	mm	7,4	0.00	0.00